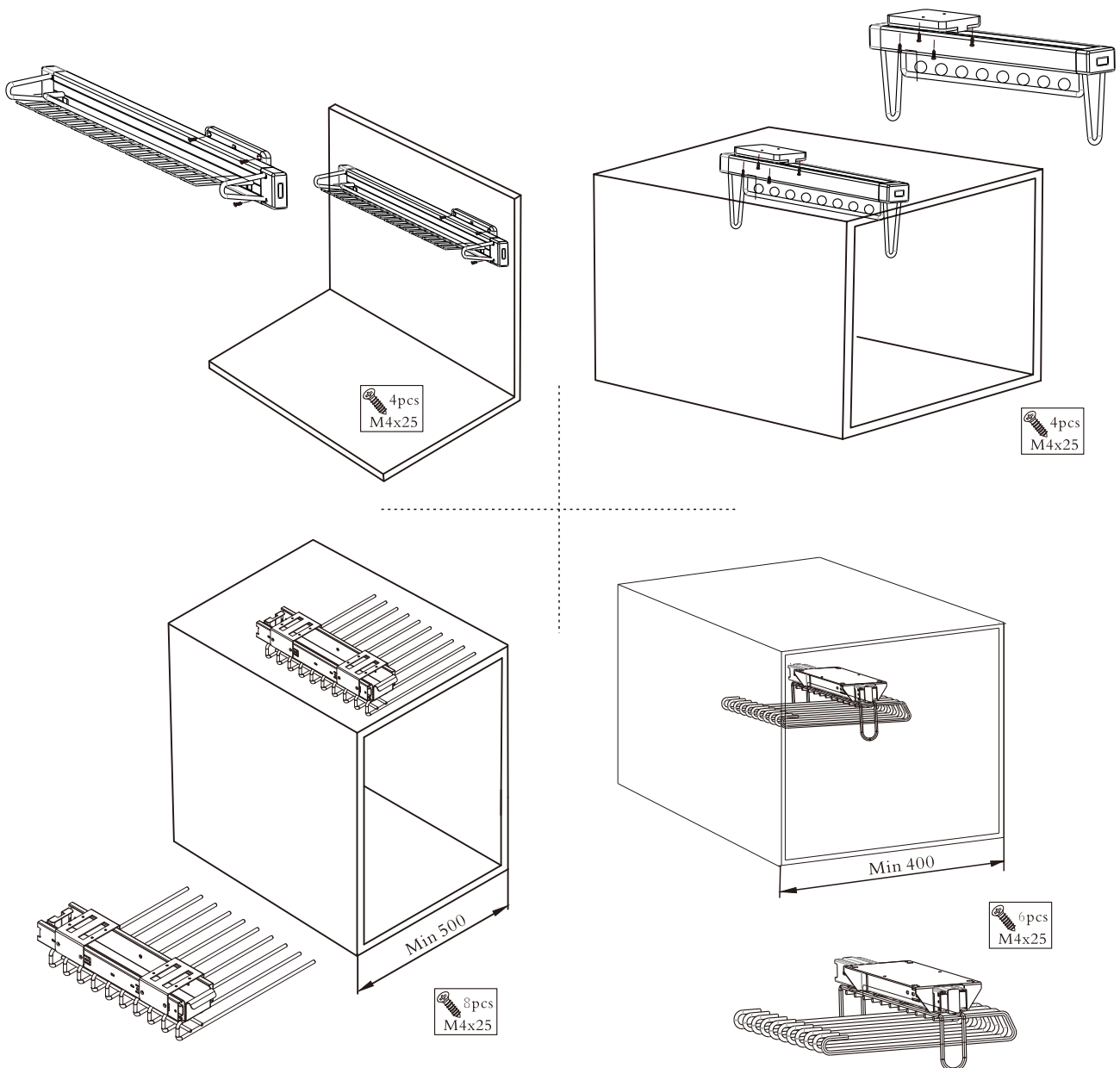


Stock Wardrobe Accessories

Assembly Instruction

Before you start

1. Check the packing and make sure you have all the parts & fittings lists. If not, call our after-sales service team for assistance, we will soon deliver you the missing parts.
2. When you are ready to start, make sure that the right tools to hand, plenty of space and a clean dry area for assembly.



Care & Use

1. Wipe clean with a soft damp cloth, Never use scourers, abrasives or chemical cleaners.
2. Keep the slides get rid of water to protect the slides thus make sure the smooth sliding.
3. For help and assistance, please contact our after-sales services team.