
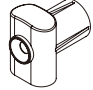


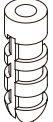
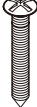
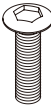
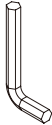
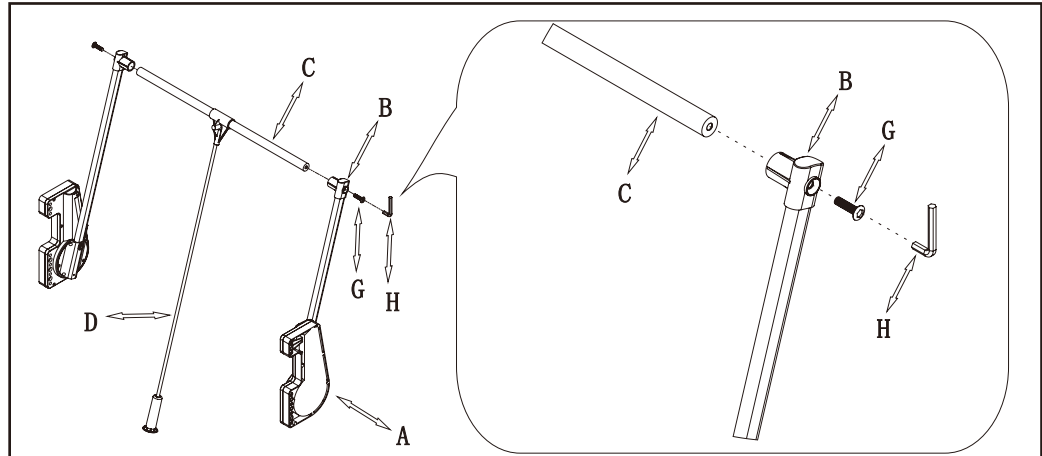


# Assembly Instruction

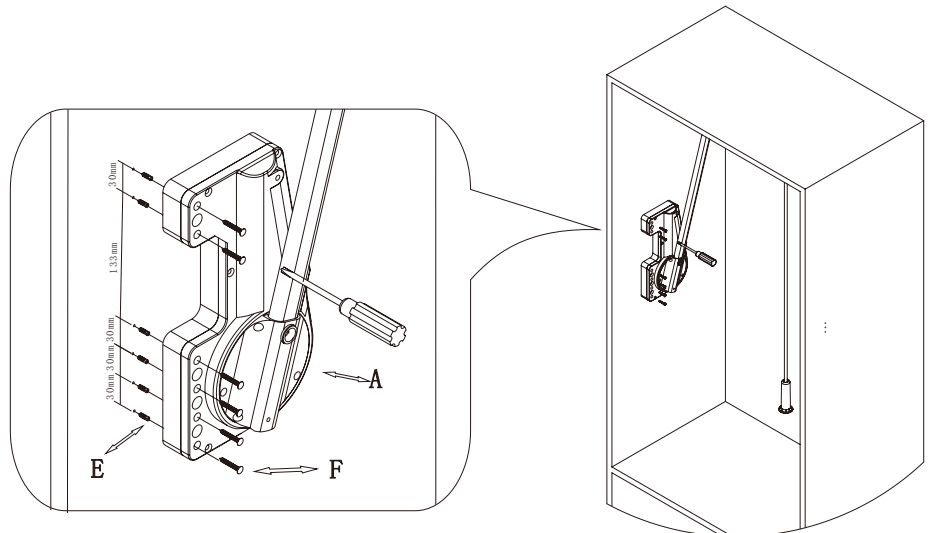
# G017

## Parts List

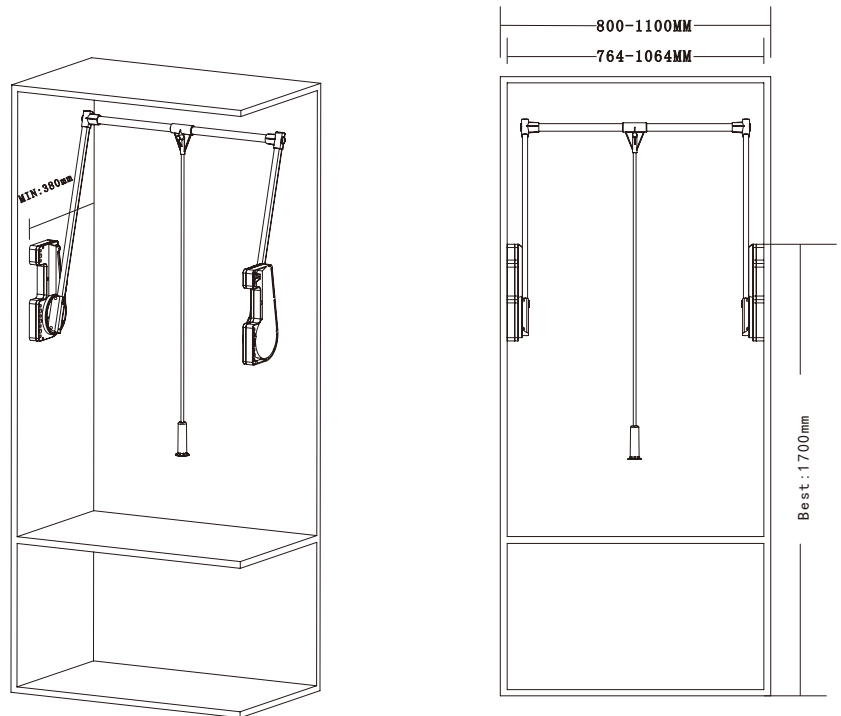
REF	DESCRIPTION	ILLUSTRATION	Qty(Pcs)
A	Support (Left+Right)		2
B	Connection		2
C	Pole		1
D	Pull Rod		1
E	Plug Φ5.4X12MM		12
F	Screws M4*40		12
G	Screws M8*30		2
H	Allen key		1



1. Connect Support (A)/connection (B)/Pole (c)/Pull Rod (D)/by Screws (G)/and Allen Key (H) as shown



2. Put plug (E) into the hole of cabinet, and then assemble support (A) in the cabinet by screws (F)



## Care&Use

1. Maximum load weight 11KG; Strength of air cylinder is 580N/PC.
2. Wipe clean with a soft cloth, never use scourers, abrasives or chemical cleaners.
3. For help and assistance, please contact with our after-sales service team.